

# SABRE AIRCRAFT TOOLS

## Power Operated Hexagon Fasteners

### CN Series

Used for clamping two or more pieces of structure at desired clamp load forces utilizing industry standard "cleco" type pneumatic tooling



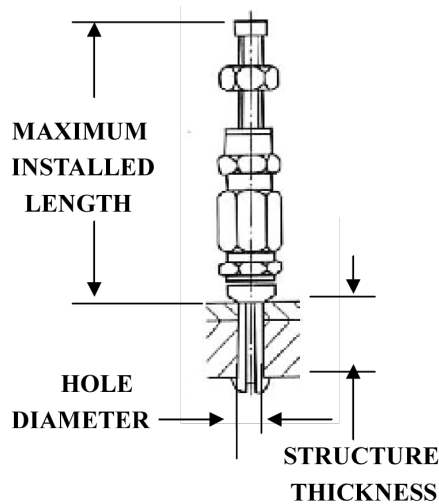
< FRACTIONAL >

### FEATURES

- High clamping loads
- Spin-free design allows nut to completely back off stud while remaining intact on stud body
- 3/32" through 3/8" diameters
- Wide variety of grip ranges
- Easy installation

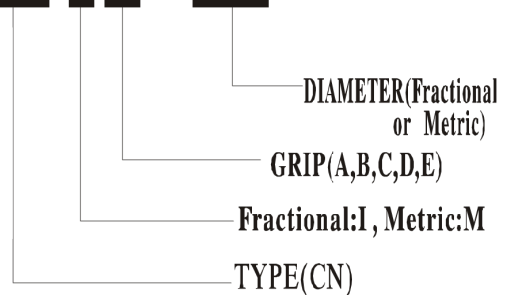


< METRIC >



### PART NUMBER EXAMPLE:

**CNIB - 1/8**



# SABRE AIRCRAFT TOOLS

## Power Operated Hexagon Fasteners

FRACTIONAL SIZES - CON SERIES				
PART NO	HOLE DIA (inches)	GRI P RANGE (inches)	COLOR CODE	DRILL SIZE
CN B-3/32	3/32	0~1/2"	ZINC	#40
CN C-3/32		0~1"		
CN D-3/32		1/2~1-1/2"		
CN E-3/32		1-1/2~2-1/2"		
CN B-1/8	1/8	0~1/2"	COPPER	#30
CN C-1/8		0~1"		
CN D-1/8		1/2~1-1/2"		
CN E-1/8		1-1/2~2-1/2"		
CN B-5/32	5/32	0~1/2"	BLACK	#20
CN C-5/32		0~1"		
CN D-5/32		1/2~1-1/2"		
CN E-5/32		1-1/2~2-1/2"		
CN B-3/16	3/16	0~1/2"	BRASS	#10
CN C-3/16		0~1"		
CN D-3/16		1/2~1-1/2"		
CN E-3/16		1-1/2~2-1/2"		
CN B-#27	#27	0~1/2"	GREEN	#27
CN C-#27		0~1"		
CN D-#27		1/2~1-1/2"		
CN E-#27		1-1/2~2-1/2"		
CN B-#16	#16	0~1/2"	YELLOW	#16
CN C-#16		0~1"		
CN D-#16		1/2~1-1/2"		
CN E-#16		1-1/2~2-1/2"		
CN B-7/32	7/32	0~1/2"	ZINC	#2
CN C-7/32		0~1"		
CN D-7/32		1/2~1-1/2"		
CN E-7/32		1-1/2~2-1/2"		
CN B-1/4	1/4	0~1/2"	COPPER	1/4"
CN C-1/4		0~1"		
CN D-1/4		1/2~1-1/2"		
CN E-1/4		1-1/2~2-1/2"		
CN B-9/32	9/32	0~1/2"	BRASS	9/32"
CN C-9/32		0~1"		
CN D-9/32		1/2~1-1/2"		
CN E-9/32		1-1/2~2-1/2"		
CN B-5/16	5/16	0~1/2"	BLACK	5/16"
CN C-5/16		0~1"		
CN D-5/16		1/2~1-1/2"		
CN E-5/16		1-1/2~2-1/2"		
CN B-3/8	3/8	0~1/2"	BLACK	3/8"
CN C-3/8		0~1"		
CN D-3/8		1/2~1-1/2"		
CN E-3/8		1-1/2~2-1/2"		

